

Part number

# CHV 32 G



## Brief description:

hoods with two levers, size "77.62", top entry, Pg36, metal version, IP66

Product description	
Version	metal version
Series	hoods with two levers
Product type	with 2 levers
Variant	top entry
Family	CLASS enclosures
Size	size "77.62"
Technical data	
Operating temperature range (min, max)	-40°C ... +125°C
Material	metal
IP degree of protection	IP66 (and IP69K DIN 40050 - 9)
Cable entry	Pg36
Further technical details	
Weight	544,00 g

Approvals / Standards	
Quality mark	 (type:4/4X/12),  , EAC
Conformity	CQC, CE
General ordering information	
EAN13 code	8015747024914
Tariff number	85369095
Packaging Information	
Sub-packaging weight	0,54 kg
Sub-packaging description	Plastic packaging
Sub-packaging quantity	1 Pcs
Sub-packaging EAN barcode	8015747187688

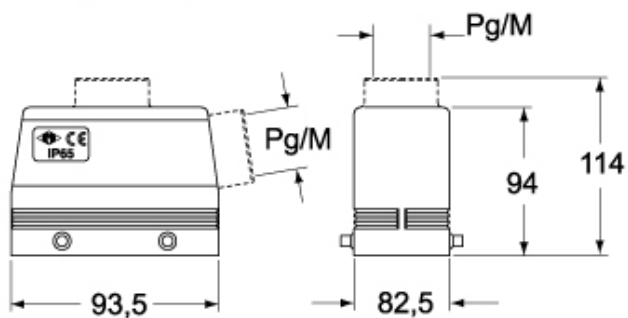
Part number

# CHV 32 G



Catalogue drawings

**CHO - CHV MHO/MFO/MFV - MHV  
MMV (MMAV)**



**CHV G - MHV G - MFV G**

